

NORMAL OPERATION

GRID ONLINE

- Contactor coil is on
- Backup line contacts are Open
- Main line contacts are Closed
- Power is provided by grid and inverter main line

POWER

POWER

MAIN

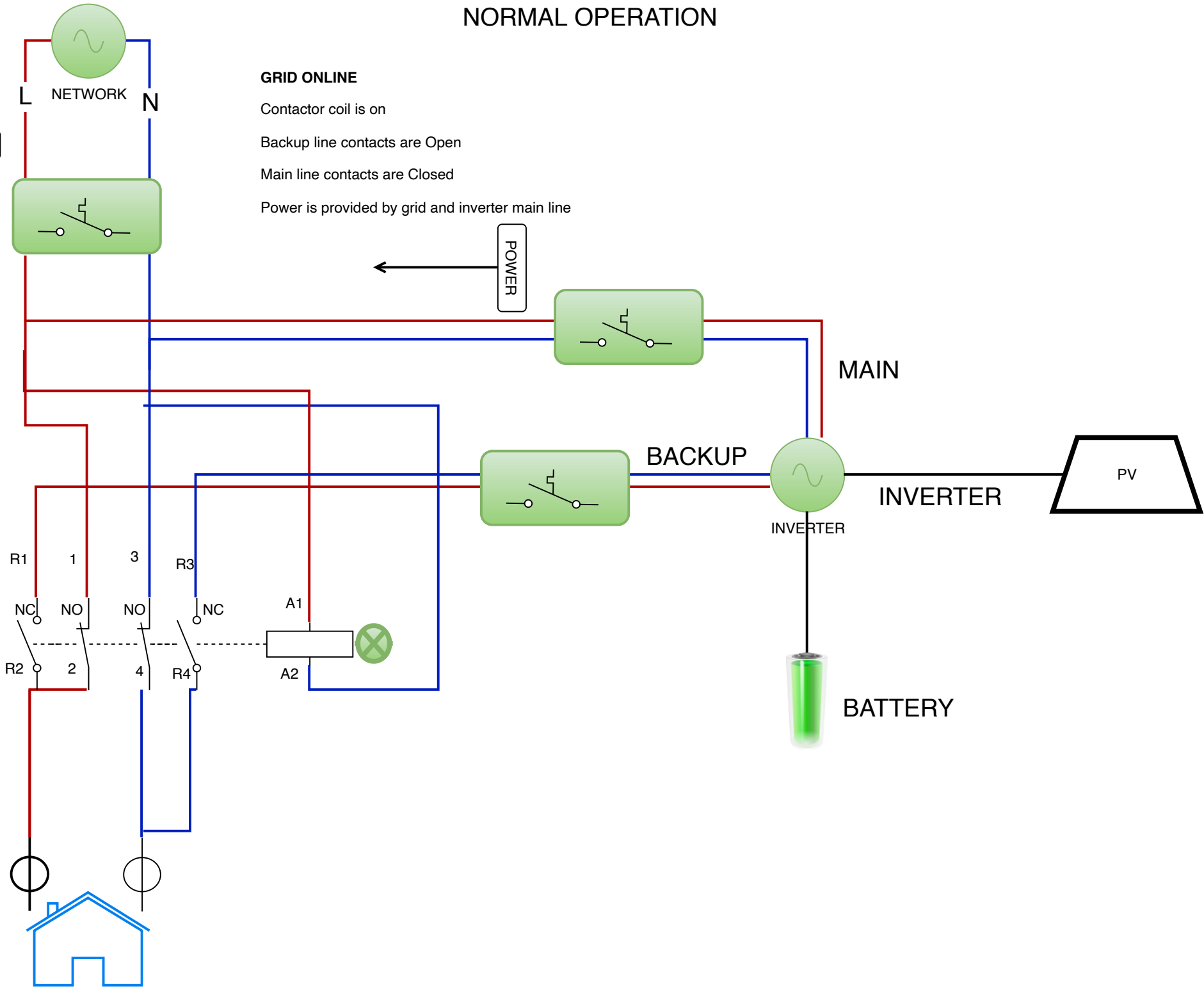
BACKUP

INVERTER

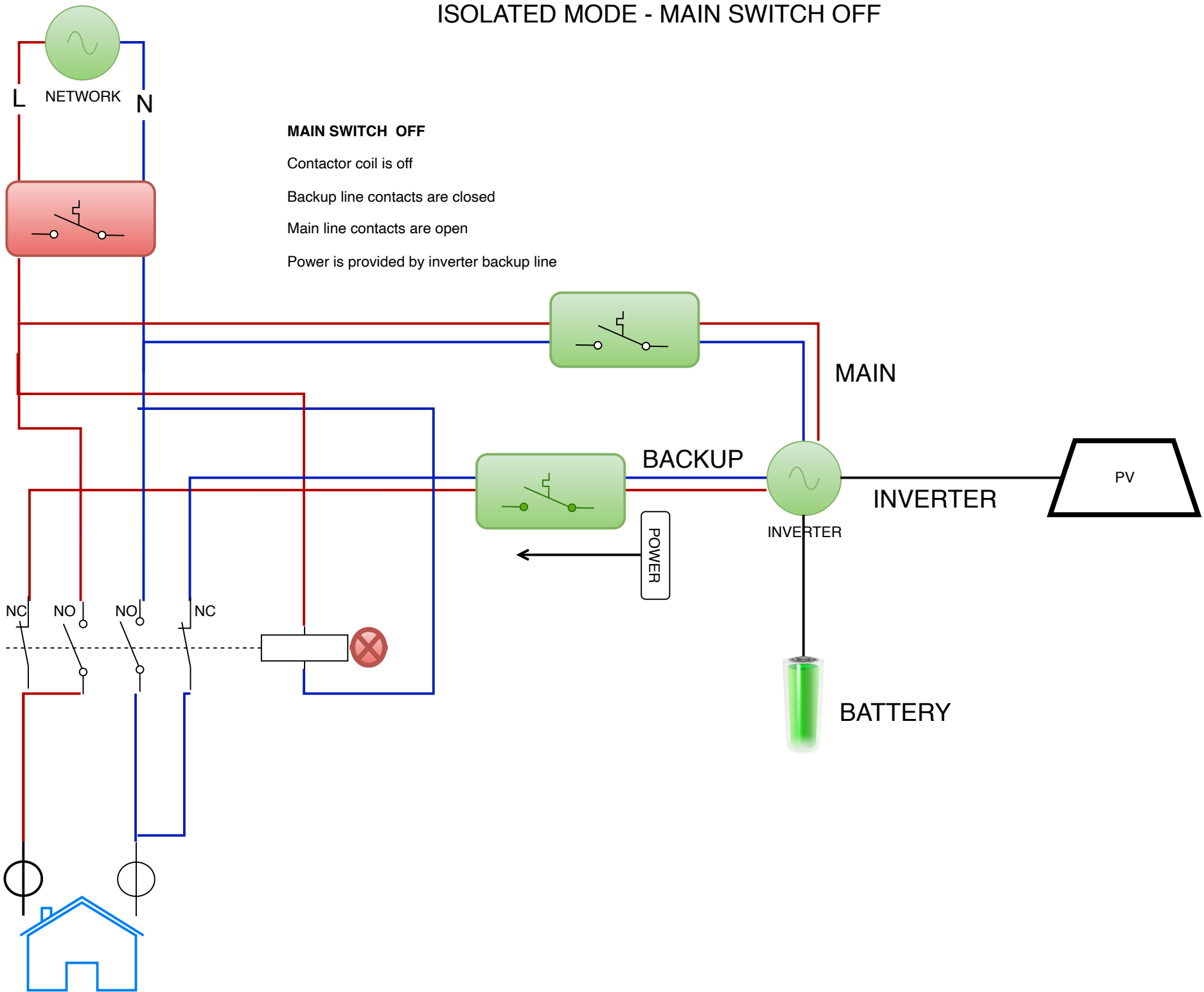
PV

INVERTER

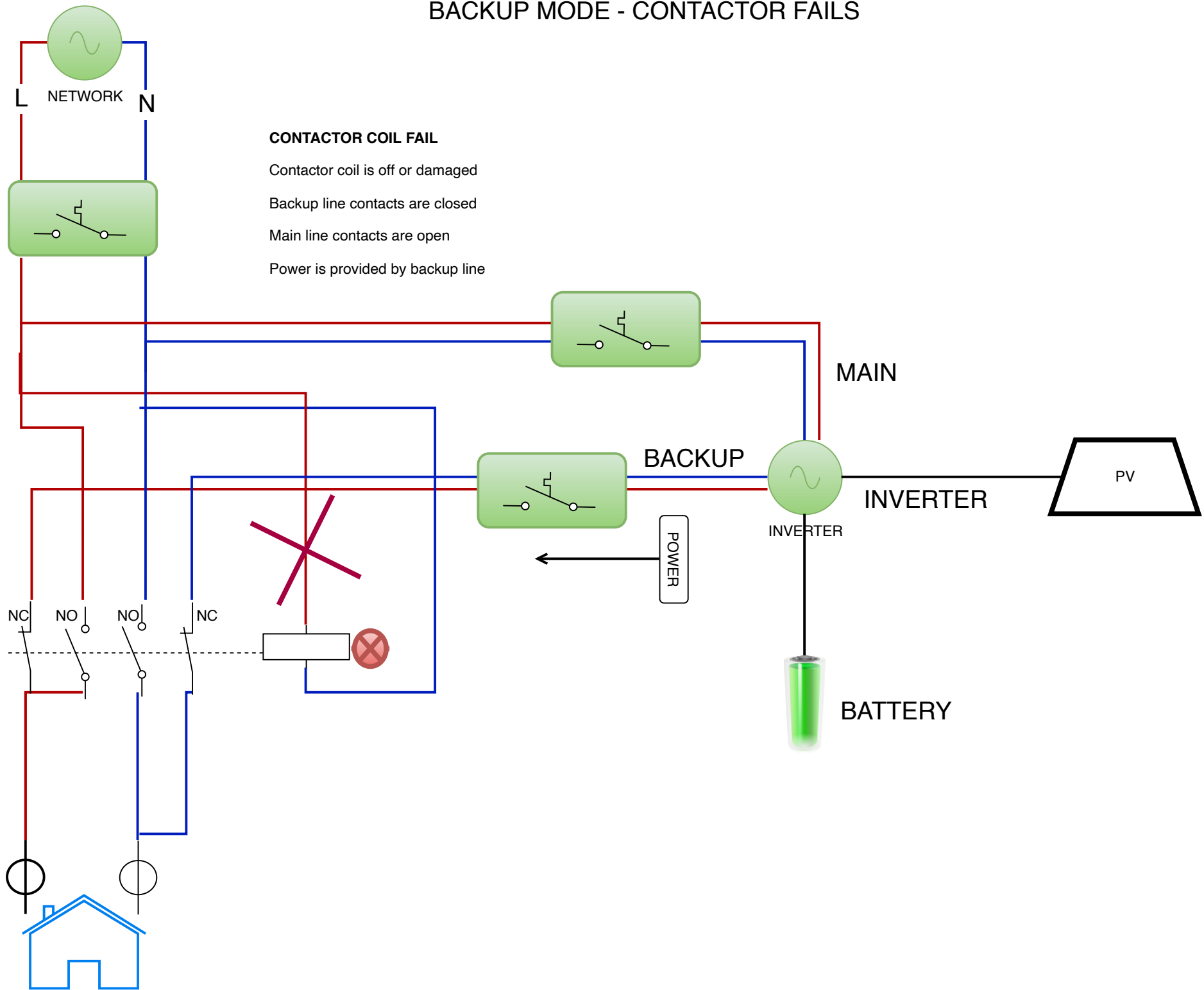
BATTERY



ISOLATED MODE - MAIN SWITCH OFF



BACKUP MODE - CONTACTOR FAILS



CONTACTOR COIL FAIL
Contactor coil is off or damaged
Backup line contacts are closed
Main line contacts are open
Power is provided by backup line

MAIN

BACKUP

INVERTER

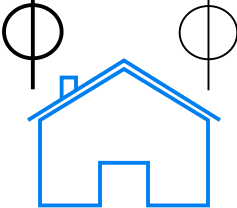
PV

INVERTER

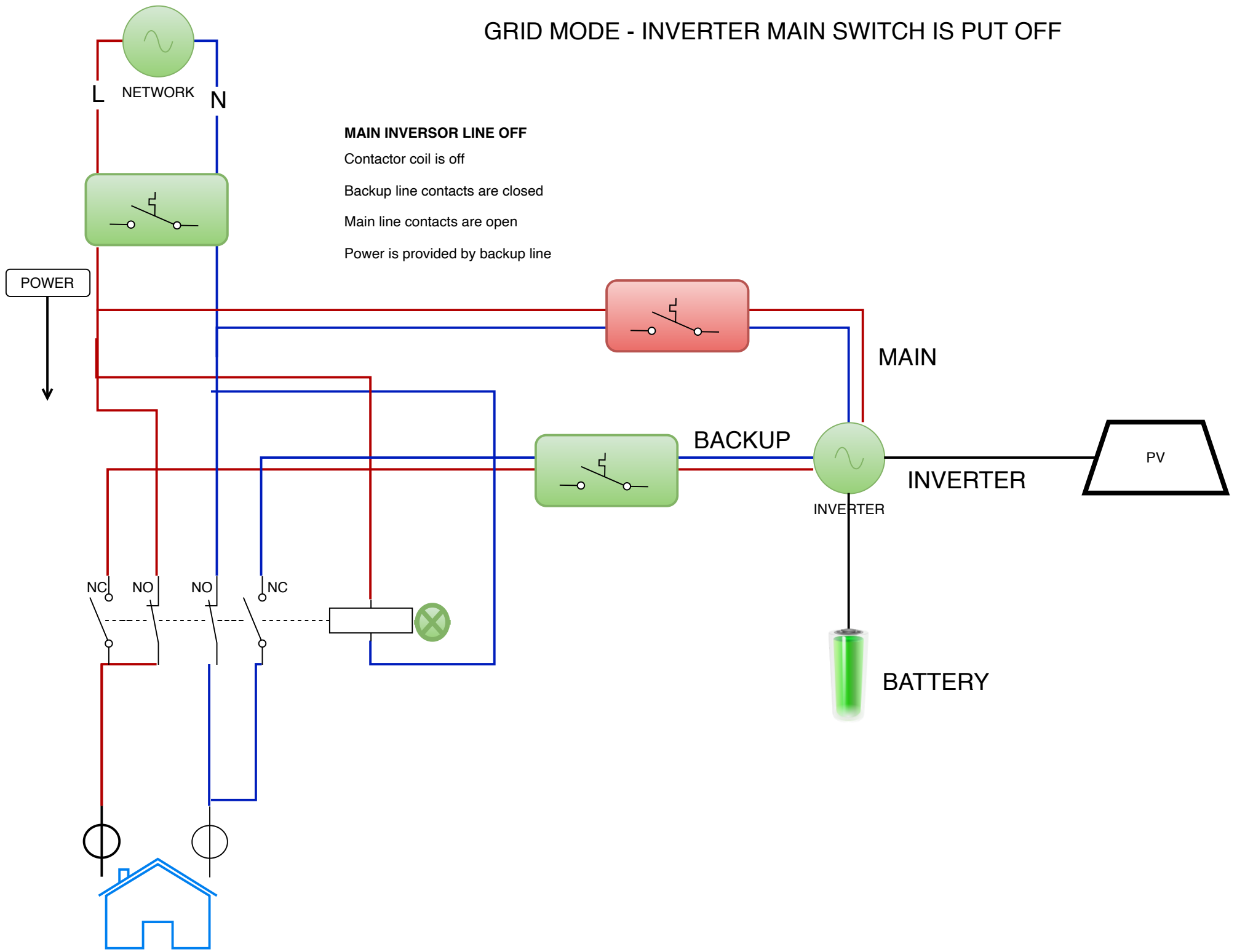
BATTERY

POWER

NC NO NO NC



GRID MODE - INVERTER MAIN SWITCH IS PUT OFF



MAIN INVERTOR LINE OFF
Contactor coil is off
Backup line contacts are closed
Main line contacts are open
Power is provided by backup line

POWER

L NETWORK N

MAIN

BACKUP

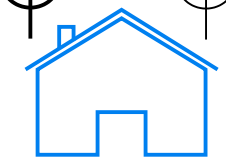
INVERTER

PV

INVERTER

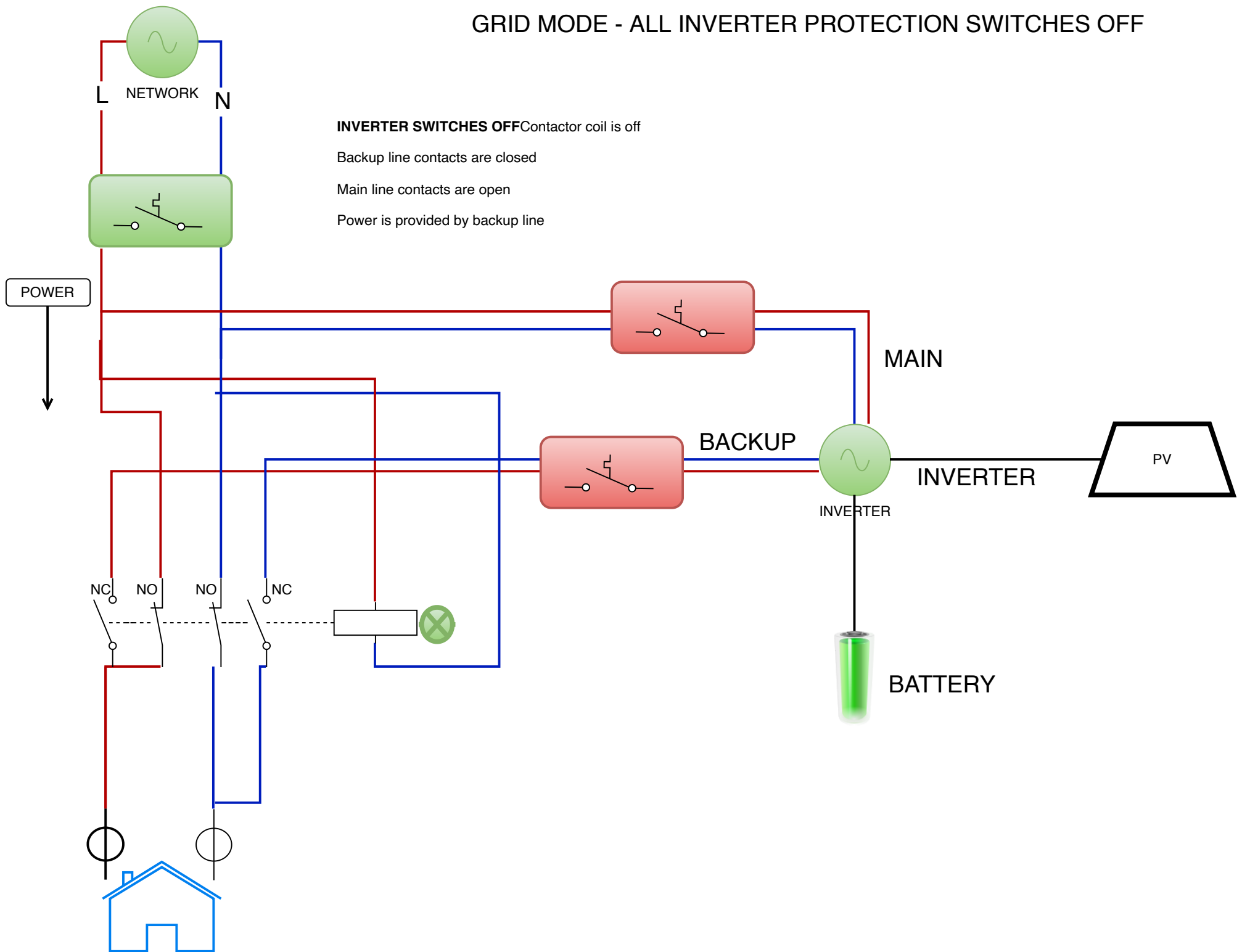
BATTERY

NC NO NO NC

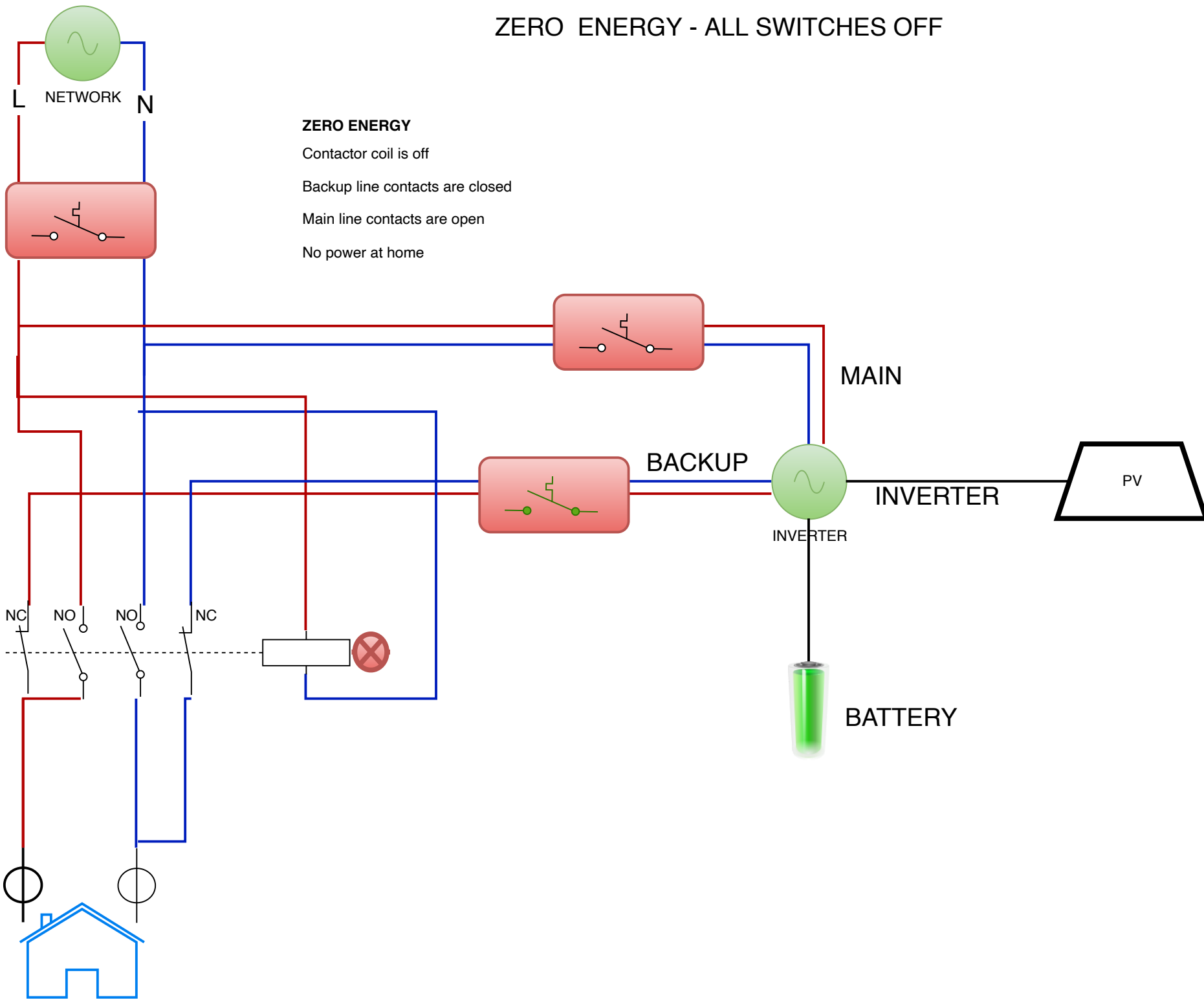


GRID MODE - ALL INVERTER PROTECTION SWITCHES OFF

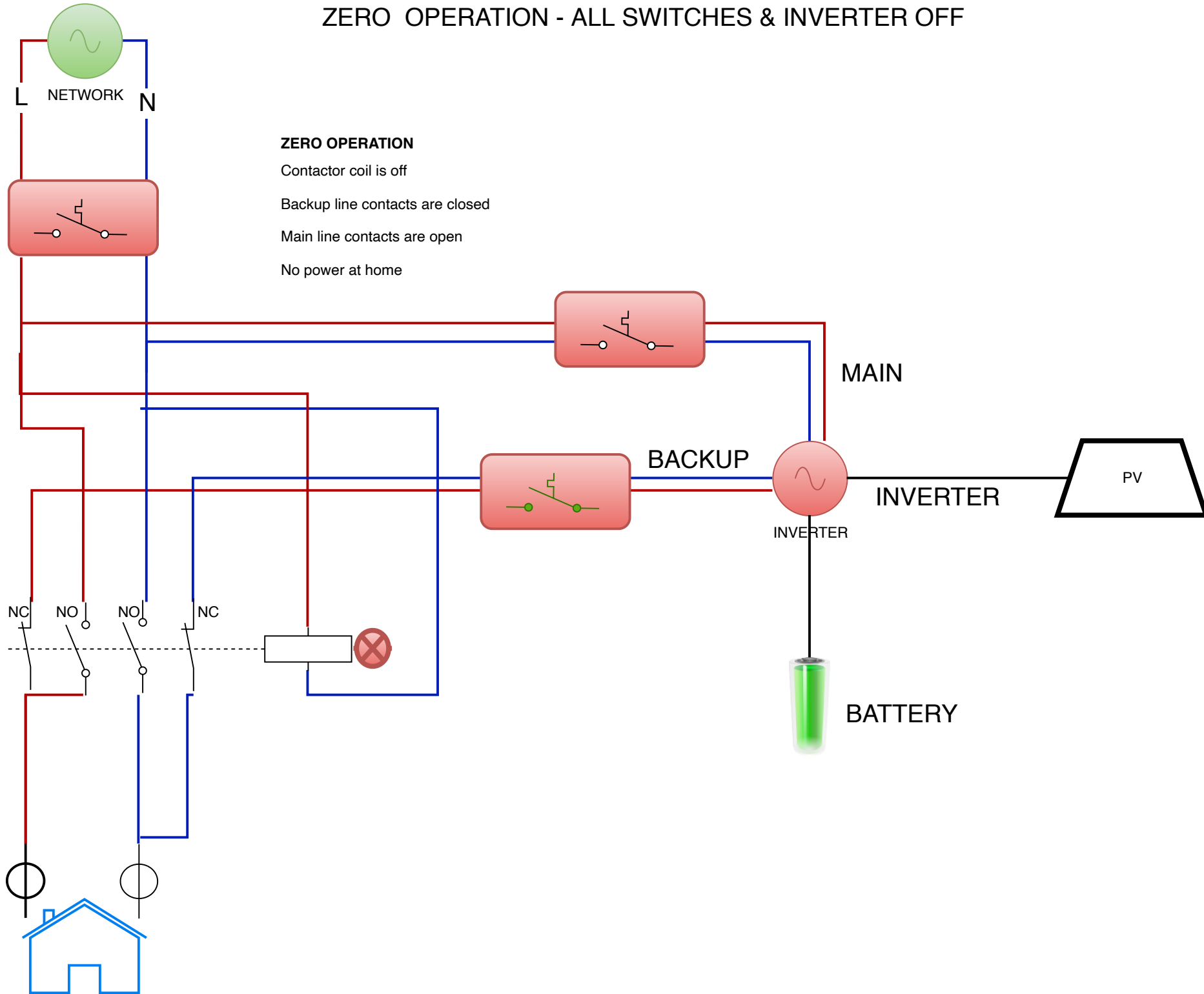
INVERTER SWITCHES OFF
Contactor coil is off
Backup line contacts are closed
Main line contacts are open
Power is provided by backup line



ZERO ENERGY - ALL SWITCHES OFF



ZERO OPERATION - ALL SWITCHES & INVERTER OFF



ZERO OPERATION

Contactor coil is off

Backup line contacts are closed

Main line contacts are open

No power at home

MAIN

BACKUP

INVERTER

PV

INVERTER

BATTERY

NC NO NO NC